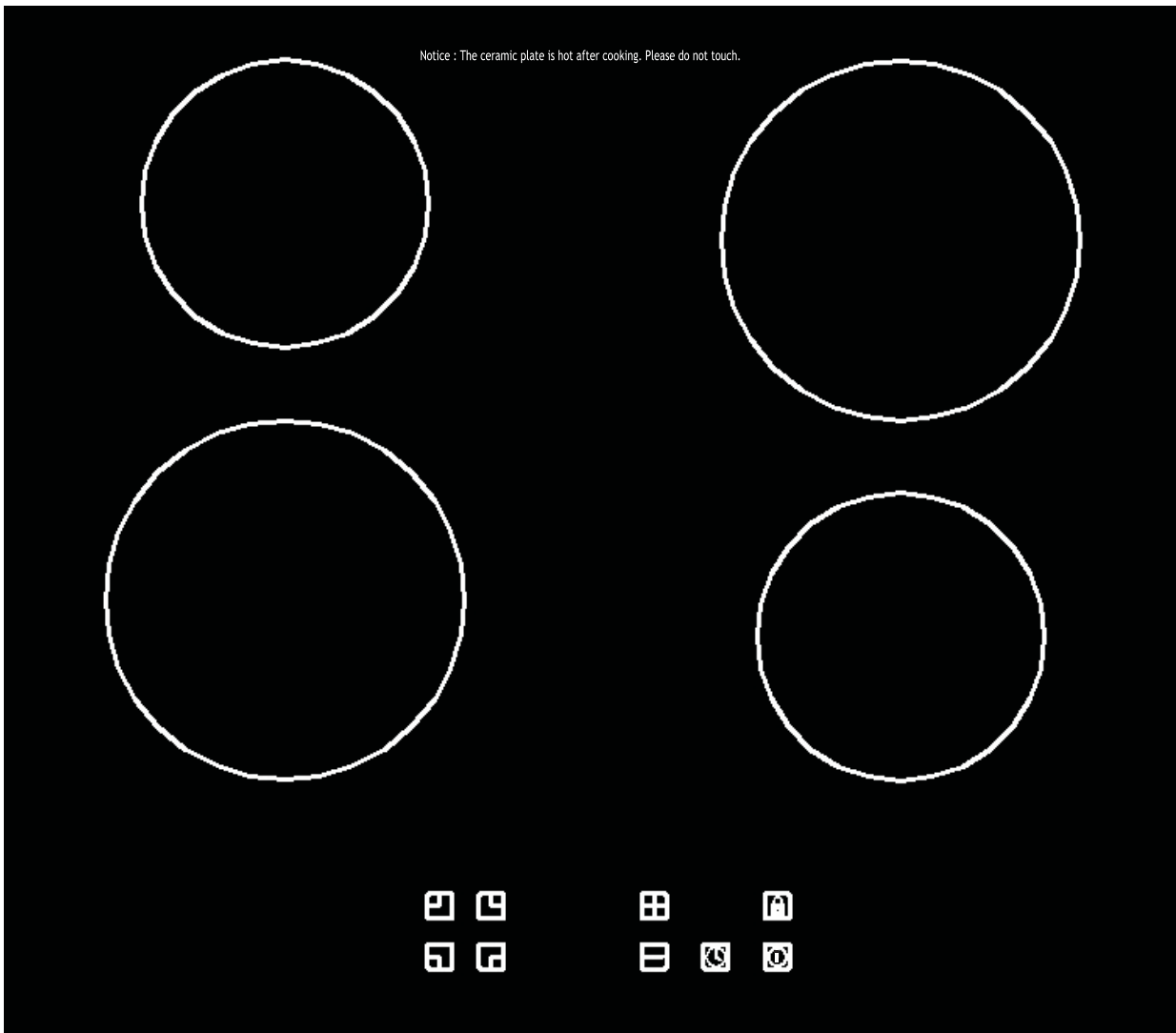


Empava

Radiant Cooktop

USER MANUAL

HQ2W/HQ4W





CONTENTS

·Important safety instructions.....	3
·Installation	4
·Connection to power supply.....	6
·Diagram of the radiant hob.....	7
·Instruction for use.....	8
·Use of containers	10
·Cleaning and maintenance	11
·Safety	12

WARNING

- Repair of any faults in your cooktop must be carried out only by an Authorized Repair Service technician, otherwise the guarantee is not valid.
- The technical details and identification of the appliance are shown on the specification plate. Consult this plate before proceeding with electrical connection.
- Electrical connection must be carried out by a certified specialist familiar with official regulations.



IMPORTANT SAFETY INSTRUCTIONS

Read all instructions carefully before using this cooktop. When properly cared for, your new Radiant cooktop has been designed to be a safe and reliable appliance. These precautions will reduce the risk of burns, electric shock, fire and injury. When using kitchen appliances, basic safety precautions must be followed, including the following:

- This appliance must be properly installed and grounded by a qualified technician. Only connect to a properly grounded outlet. See electric preparation and connection instructions in the Installation Instructions.
- Do not repair or replace any part of the cooktop unless specifically recommended. Refer service only to an authorized service center.
- Do not allow children to use this appliance unless closely supervised by an adult. Children and pets should not be left alone or unattended in the area where the appliance is in use. Never allow children to sit or stand on any part of the cooktop.
- Do not store flammable materials in or near the cooktop
- Do not use water on a grease fire. Smother fire or use a dry chemical or foam-type extinguisher.
- Never use the cooktop to warm or heat a room.
- For personal safety, wear proper clothing. Loose fitting garments or shirts with hanging sleeves should never be worn while using this appliance.
- Use only dry potholders. Moist or damp potholders on hot surfaces may result in burns from steam. Do not let potholders touch hot heating elements. Do not use a towel or other bulky cloth.
- Use proper pan size. This appliance is equipped with one or more surface units of different sizes. Select pans with having flat bottoms large enough to cover the surface unit heating element. The use of undersized pans will expose a portion of the heating element to direct contact and may result in ignition of clothing. Proper coverage of pots and pans to burner will also improve efficiency.
- Never leave surface units unattended at high heat settings. Boil over causes smoking and greasy spillovers that may ignite.
- Make sure reflector pans or drip bowls are in place. Absence of such may subject wiring or components underneath to damage.
- Protective Liners. Do not use aluminum foil to line surface unit drip bowls or oven bottoms, except as suggested in the manual. Improper installation of these liners may result in electric shock, or fire.
- Glazed cooking utensils. Only certain types of glass, glass/ceramic, ceramic, earthenware, or other glazed pots and pans are suitable for range-top service due to the sudden change in temperature, which may result in breakage – see page 15 for reference.
- To reduce the risk of burns, ignition of flammable materials, and spillage due to

unintentional contact with the utensil, the cookware handles should be positioned so that they are turned inward, and does not extend over adjacent surface units.

- Do not soak removable heating elements. Heating elements should never be immersed in water.
- Do not cook on a broken cooktop. If your cooktop should break or crack, cleaning solutions and spillovers may penetrate the broken cooktop and create a risk of electric shock. Contact a qualified technician immediately.
- Clean cooktop with caution. Be careful to avoid steam burns if a wet sponge or cloth is used to wipe spills on a hot cooking area. Some cleaners can produce noxious fumes if applied to a hot surface.

▶ Installation

1. Cut a hole in the worktop of the dimension shown in the diagram below. A minimum of 50mm space should be left around the hole. The worktop should be at least 30mm thick and made of heat resistant material.

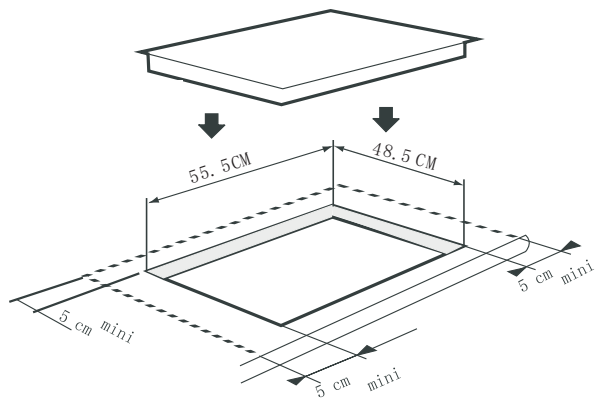
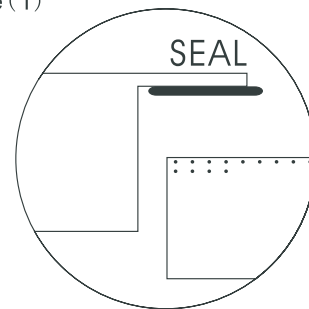
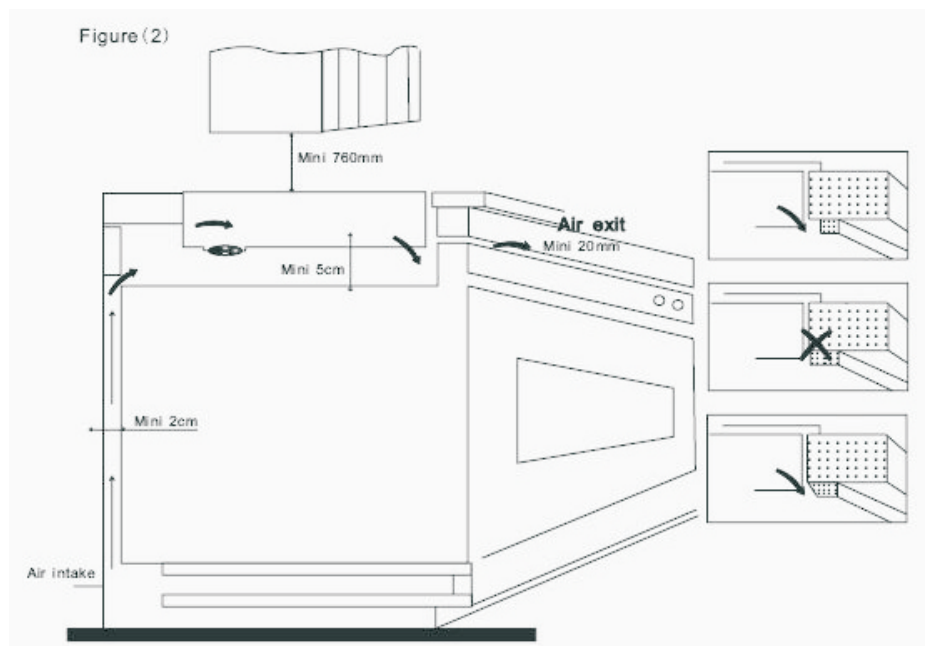


Figure (1)



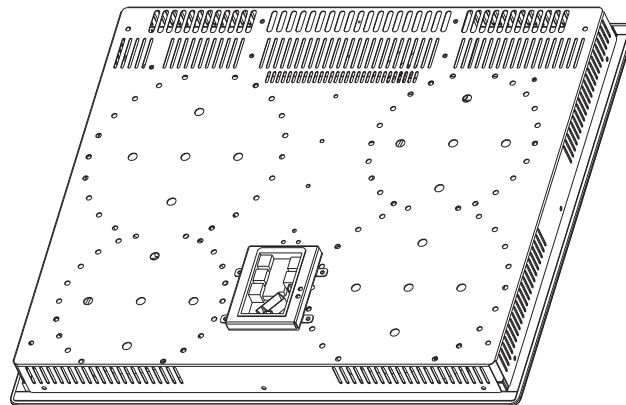
2. It is essential that the Radiant Cooktop is well ventilated and that the air intake and exit are not blocked.

Make sure the cooktop is correctly installed as shown in Figure 2.



NB: For safety the gap between the hob and any cupboard above it should be at least 760mm.

3. Fix the cooktop to the worktop using the four brackets on the base of the cooktop The position of the brackets can be adjusted according to the thickness of the top.



Warning

- (1). The Radiant cooktop must be installed by a properly qualified person We have our own qualified installers Never try to install the appliance yourself.
- (2).The Radiant cooktop must not be installed above refrigerators freezers, dishwashers or tumble dryers.
- (3). The Radiant cooktop should be installed so that optimum radiation of heat is possible.
- (4). The wall and the area above the cooktop should be able to withstand heat.
- (5). To avoid any damage the sandwich layer and adhesive should be heat resistant.

▶ Connection to power supply:

The socket should be connected in compliance with the relevant standard to a single pole circuit breaker. The method of connection is shown in Figure 3.

Voltage&frequency	Wire connection				
400V 2-N 50\60Hz	1 • L1	2 • L2	3 •	4 • N	5 • ⏚
	Brown&Black		Blue&Green		Yellow/Green
220-240V 50\60Hz	1 •	2 • L	3 •	4 • N	5 • ⏚
	Brown&Black		Blue&Green		Yellow/Green

Figure(3)

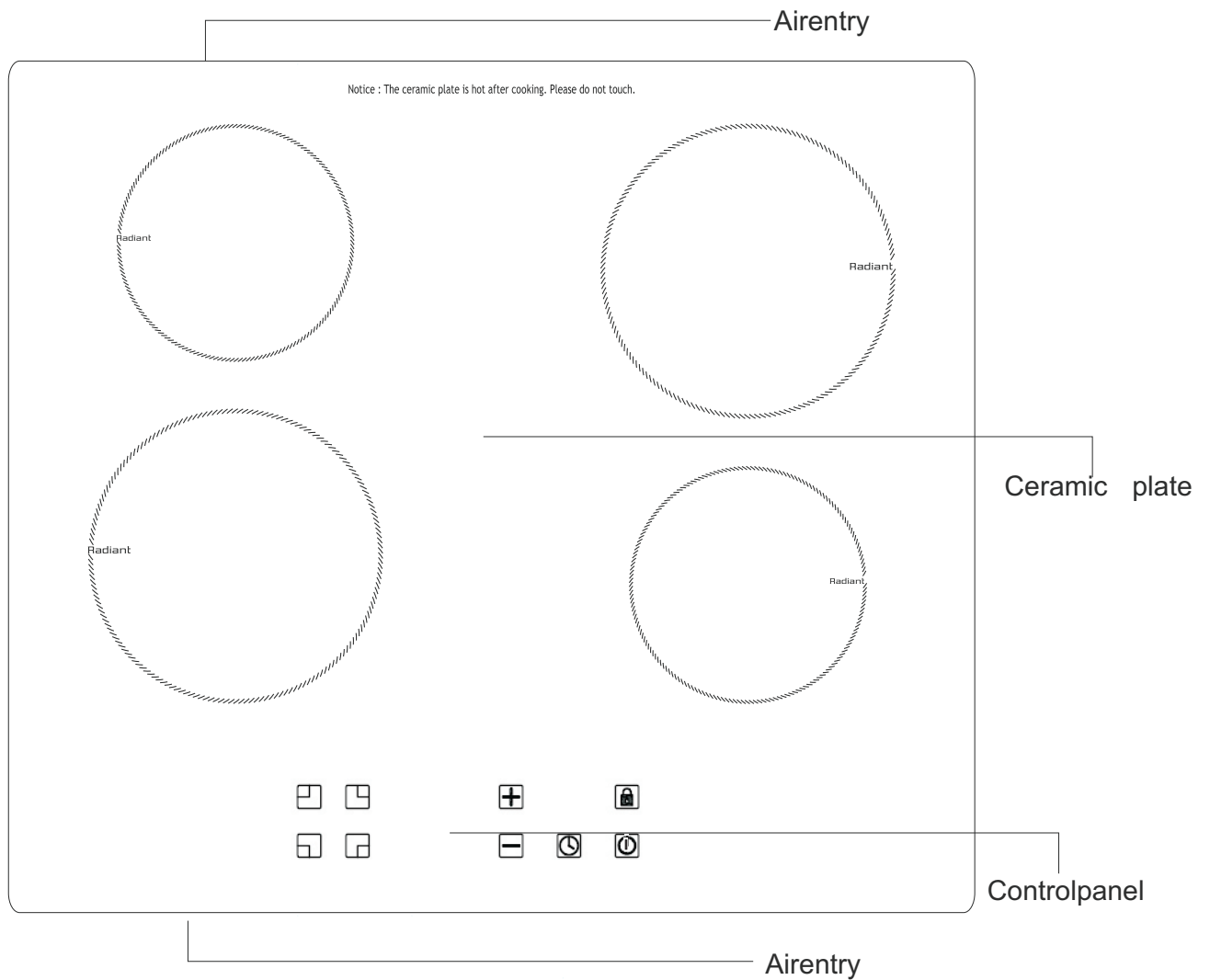
If the cable is damaged or needs or needs replacing this should be done by an after sales technician using the proper tools so as to avoid any accidents.

If the appliance is being connected directly to the mains supply an omnipolar circuit breaker must be installed with a minimum gap of 3mm between the contacts

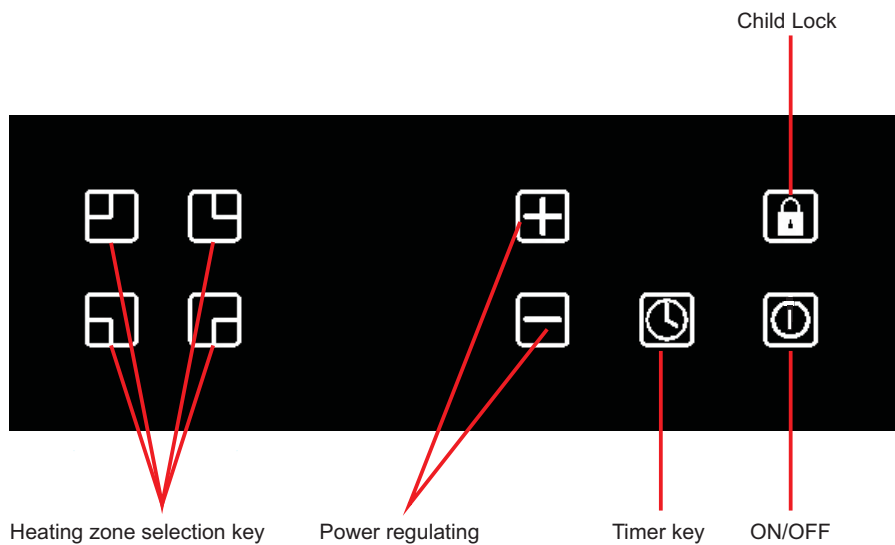
The installer must ensure that the correct electrical connection has been made and that it complies with safety regulations

The cable must not be bent or compressed. The cable must be checked regularly and only replaced by a properly qualified person.

▶ Diagram of Radiant Cooktop:



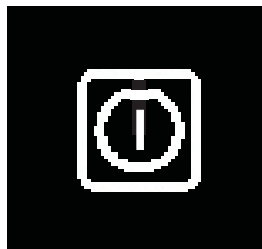
Schematic diagram of the control panel



▶ Instructions for Use

Preparation before using:

When the power is switched on the buzzer will sound once and all the indicators will come on for one second and then go out. The Cooktop is now in standby mode.

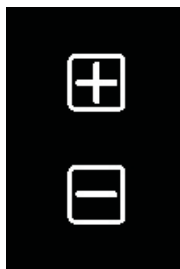


Operating instructions

When the ON / OFF key is pressed, all the indicators show “-”. Select the power level by pressing the “+” or “-” key for the relevant hotplate. To begin with the indicator shows “5”. Adjust up or down by pressing the “+” or “-” key. If you press the “+” and “-” key simultaneously, the power setting returns to “0” and the cooking zone switches off.

See the table on page 8 for the power specific to each cooking zone

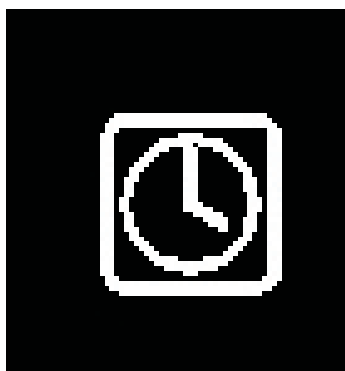
NB: When the ON / OFF key is pressed the induction hob returns to standby mode if no other operation is carried out within two minutes



Timing function

Press the timing key and the indicator will start flashing. Then set the time for between 1 and 99 minutes by pressing the “+” and “-”

Pressing the “+” key once increases the time by one minute, pressing the “-” key once decreases the time by one minute. Pressing the “-” key once decreases the time by one minute. When the set time exceeds 99 minutes, it will automatically return to “0” minutes. If the “-” and “+” keys are pressed simultaneously, the indicator will display “0”



Timer confirmation

1. Select the power level of the cooking zone and then press the “Timer” key. The timer can now be set.
2. When the timing indicator has been flashing for 5 seconds, the set time will be automatically confirmed.
3. After selecting a set time, confirm by pressing the “Timer” key.

Timer cancellation

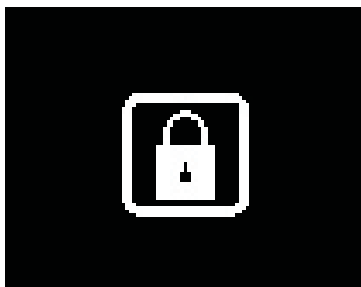
After setting the time again, hold down the “Timer” key for 5 seconds. This will cancel the timer and the indicator will revert to “0”.

Safety mode

To ensure the safety of children, the induction hob is fitted with an interlock device. To lock: hold down the “Inter lock” key for 2 seconds; the hob then goes into “Interlock” mode, the timer shows “LO” and the rest of the keys are disabled.

Unlocking

Hold down the interlock key for 5 seconds and the hob will return to normal working.

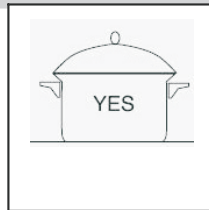


The maximum power of cooking zones is as follows:

Heating zone	Max. Power(W)
	Normal
1	1800
2	1200
3	1800
4	1200

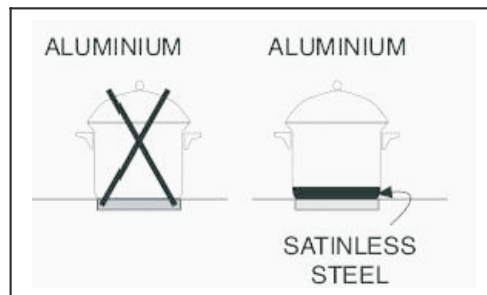
▶ USE OF CONTAINERS

Most stainless steel, enamel, iron, ceramic and copper pans can be used on radiant cooktops.

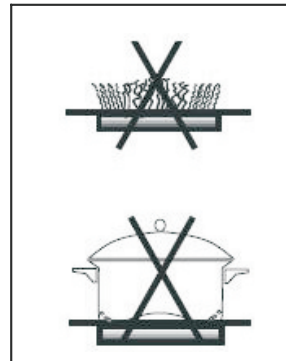


STAINLESS STEEL
ENAMEL
CERAMIC
COPPER

Aluminum pans are not recommended as they may stain the surface, unless they have stainless steel encapsulated bottoms.



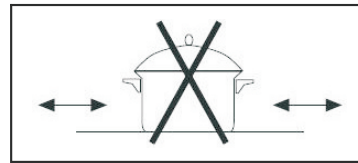
Hotplates should not be switched on without a pan on top. The base of the pan should be flat and dry. Pans that have been used on gas cookers are not normally completely flat and absorb heat badly.



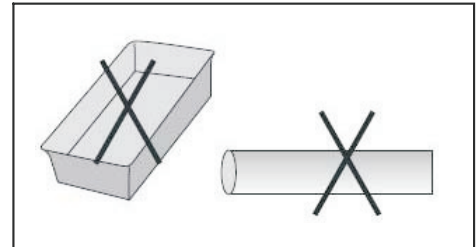
Make sure that the diameter of the pan is at least that of the hotplate.



Avoid dragging pans over the radiant glass surface, as it may get scratched.
Always lift the pan.



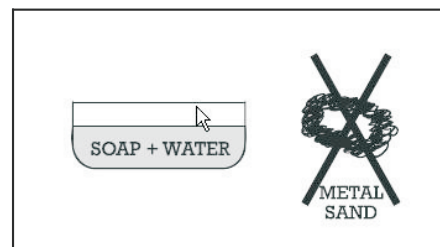
Never use tin foil or plastic containers. They may melt and fuse permanently with the radiant glass surface.



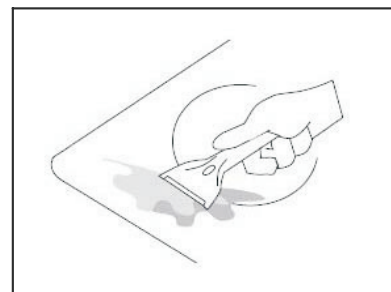
▶ CLEANING

IMPORTANT: If the radiant glass surface breaks or you notice cracks in it, disconnect the equipment. Call your Repair Service Technician.

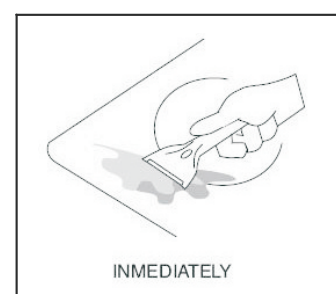
Clean the radiant glass surface frequently, when it is cool. Never use abrasive products or pads. Clean with a damp cloth and soapy water.



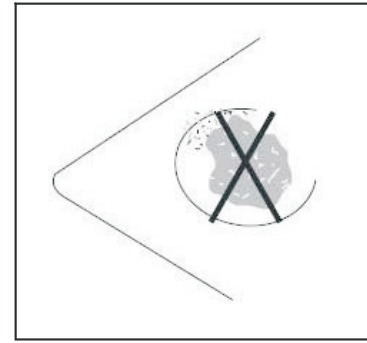
Once a week, clean thoroughly with specific products that preserve and protect radiant cooktops hobs. Scrape off stuck on stuck dirt with a scraper



If sugar (or sugary matter) or plastic is accidentally burnt on the cooktop, remove at once with the scraper while still hot. Otherwise it may leave a permanent mark.



Do not use the cooktop as a work surface. Be particularly careful with dirt or dust from vegetables, cleaning powders, etc. which may scratch the surface when pans are slid over it.



SAFETY

Safety systems

In order to protect the electronics from overheating if the control unit detects excessive heat it will switch off the hotplate closest to the sensors and the letter H will appear on the display. This hotplate can be activated when the temperature of the electronic unit returns to normal.

Each hotplate is equipped with an interior temperature limiter that switches off the hotplate if the radiant surface is heated excessively.

If any cracks appear in the radiant surface, immediately disconnect it from the mains. Do not use any part of the cooktop until a new radiant surface has been fitted.

Automatic

If a hotplate is left on accidentally, it will automatically be switched off after a period of time has elapsed, depending on the power level that has been selected

Setting	Time (hour)
1-3	8
4-6	4
7-9	2

WARNING: If the surface is cracked, switch off the appliance to avoid the possibility of electric shock. The appliance and its accessible parts become hot during use. Care should be taken to avoid touching heating elements. Children less than 8 years of age shall be kept away unless continuously supervised. A steam cleaner is not to be used. The appliances are not intended to be operated by means of an external timer or separate remote-control system.

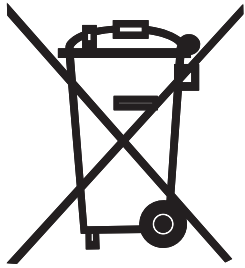
WARNING: Unattended cooking on a hob with fat or oil can be dangerous and may result in fire. NEVER try to extinguish a fire with water, but switch off the appliance and then cover flame e.g. with a lid or a fire blanket.

WARNING: Danger of fire: do not store items on the cooking surfaces.

WARNING: Use only hob guards designed by the manufacturer of the cooking appliance or indicated by the manufacturer of the appliance in the instructions for use as suitable or hob guards incorporated in the appliance. The use of inappropriate guards can cause accidents.

Means for disconnection must be incorporated in the fixed wiring according to the wiring rules. This appliance should be connected to a circuit which incorporates an isolating switch providing full disconnection from the power supply.

Correct Disposal of this product



This marking indicates that this product should not be disposed with other household waste throughout the EU. To prevent possible harm to the environment or human health from uncontrolled waste disposal, recycle it responsibly to promote the sustainable reuse of material resources. To return your used device, please use the return and collection systems or contact the retailer where the product was purchased. They can take this product for environmental safe recycling.